

SET OUTPUTS

Dimensional output is set to nearest whole inch by default. To select alternative outputs scan one of the Output codes below with the C200L.



Output 0.25



Output 0.5



Output Nearest 1



Output Next 1

SET SUFFIX

Select preferred suffix for use with Dimensional (DIM) and General (GEN) items.



Suffix Dim CR



Suffix Dim TAB



Suffix Gen CR



Suffix Gen TAB

Additional suffixes and prefixes available at www.cubetape.com/support

REFERENCES AND RESOURCES



FAQ URL



Shortcuts URL



ScanStik URL

For Scan to Pair and NFC Pairing instructions go to **FAQ URL** or Configuration guide.

For full manual go to www.cubetape.com/support

For support email support@cubetape.com

US DEFAULTS

Comms	Direct (HID) by RF Dongle
Timeout	10 minutes
Suffix DIM	TAB
Suffix GEN	TAB
Units	inches
Output	Nearest inch

To return to C200L US default settings at any time scan barcodes below.



C200L US



Wireless Defaults

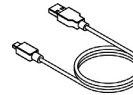
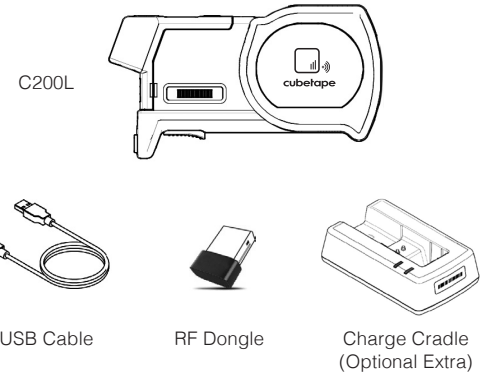


cubetape

C200L

US Quickstart Guide

IN THE BOX



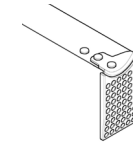
USB Cable



RF Dongle



Charge Cradle (Optional Extra)



Bigfoot Silicone Tip



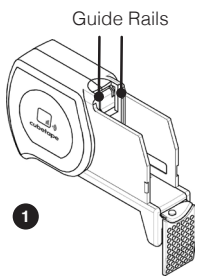
Quickstart Guide

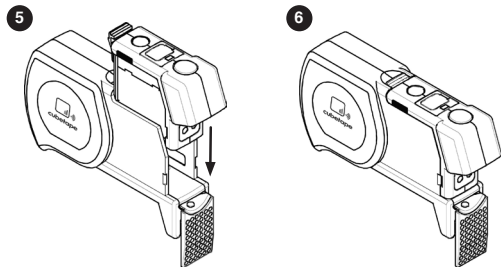
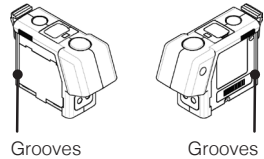


ScanStik

Scan Registration QR code or visit www.cubetape.com/register to register your device.

ASSEMBLY

- 
1. The tape cassette has guide rails on both sides.
2. The C200L Pod has guide grooves on both sides.
3. Spring latch locks into the tape cassette.
4. Align grooves and rails.
5. C200L Pod slides down into the tape cassette.
6. The latch in the C200L Pod locks into the tape cassette.



CHARGE BATTERY



USB Port

Insert USB cable in port under flap by the Scan button and connect to adaptor or if using charge cradle, connect USB cable and insert C200L. Red LED is ON when charging.

POWER ON C200L



Scan Button

Press the Scan button to power on.

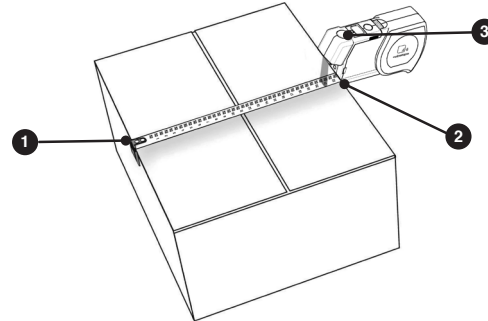
REGISTRATION



Registration URL

Scan **Registration URL** QR code with mobile Android or iOS device or visit www.cubetape.com/register to register your device.

HOW TO MEASURE



1. Hook the tape end over the far edge of the package.
2. Align the tape exit point to the near edge of the package.
3. Press the Scan button to record and transmit the measurement.

HOST CONNECTIONS

C200L can connect to a host system using RF Dongle or Bluetooth.

The default method is RF Dongle.

Connect to Windows using RF Dongle:



Pair

- Power on C200L.
- Scan **Pair**, LED will flash green.
- Insert dongle in spare Windows USB port, LED will turn blue when connected.
- Dimensions and barcodes will now be sent to the active Windows app.

Other Host Connections:



FAQ URL

For all other host connections including CubeiQ and Bluetooth, scan the **FAQ URL** QR code with mobile Android or iOS device or go to www.cubetape.com/support for instructions.